


**ALP 5.0L-E2 US Battery System
User Manual**

About this Document

This document describes the ALP 5.0L-E2 US Battery System (the "ALP 5.0L") in terms of its installation, electrical connection, operation, commission, maintenance, and troubleshooting.

Before installing and operating ALP 5.0L, ensure that you are familiar with product features, functions, and safety precautions provided in this document.

Symbol/ Symboles	Description
 WARNING	Indicates a potentially hazardous situation, if not avoided, could result in serious injury or death. Indique une situation potentiellement dangereuse, qui, si elle n'est pas évitée, pourrait entraîner des blessures graves ou la mort.

Contents

1 Product Overview	1
1.1 Intended Use	1
1.2 Appearance	1
1.2.1 Dimensions	1
1.2.2 Introduction to the battery operation panel	1
1.3 Working Principle and Function	3
2 Safety	4
2.1 General Safety	4
2.2 Safety Precautions	4
2.2.1 Environment requirements	4
2.2.2 Operation Precautions	5
2.3 Warning Labels	6
2.4 Emergency Responses	9
3 Storage and Transportation	10
3.1 Storage Requirements	10
3.2 Transportation Requirements	11
4 Installation	12
4.1 Installation Environment	12
4.2 Basic Installation Requirements	13
4.3 Installation Tools	15
4.4 Check	15
4.4.1 Pre-installation Check	15
4.4.2 Check the Packing List	16
4.4.3 Check the accessories	16
4.5 Installation	17
4.5.1 Floor-mounted Installation	17
4.5.2 Wall-mounted Installation	19
4.5.3 Electrical Connection	21
5 System startup or shutdown	27
5.1 System startup	27
5.2 System shutdown	28
6 Maintenance Guide	29
6.1 Preparation	29
6.2 PACK Replacement	29
6.3 System Failure Information List and Troubleshooting Suggestions	29
6.4 About mixing old and new batteries in parallel	31
7 Technical Specifications	32

1 Product Overview

1.1 Intended Use

Each ALP 5.0L consists of 100Ah cells which form a 51.2V voltage battery module and sixteen serial connections (1P16S). A single cluster can connect up to 8 batteries in parallel to expand the capacity and power of the energy storage system, and eight clusters can reach a maximum of 320kWh Battery modules of the same type can be connected in parallel regardless of its software version. Normally, the ALP battery system powers the loads through PCS at nighttime without solar; when solar becomes available during daytime, solar energy powers the loads as a priority and the surplus solar power is stored in the ALP battery system.

1.2 Appearance

ALP 5.0L consists of the battery module (including cells and mechanical parts), battery management system (BMS) as well as power and communication terminals. Product appearance is shown as below.

1.2.1 Dimensions

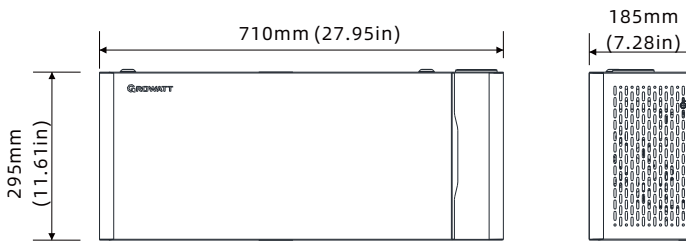


Fig 1.1: Dimensions of the battery module

1.2.2 Introduction to the battery operation panel

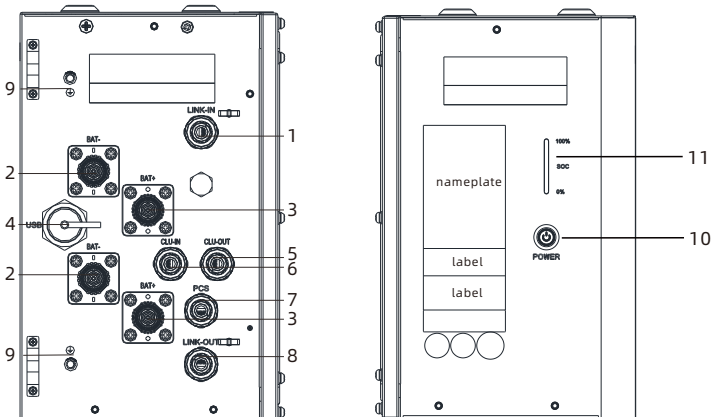


Fig 1.2: Introduction to the battery operation panel

NO.	Description	NO.	Description
1	LINK-IN CAN communication	7	PCS CAN communication
2	Negative terminal	8	LINK-OUT CAN communication
3	Positive terminal	9	GND terminal
4	USB interface	10	Power Button
5	Cluster-out communication	11	LED
6	Cluster-in communication		

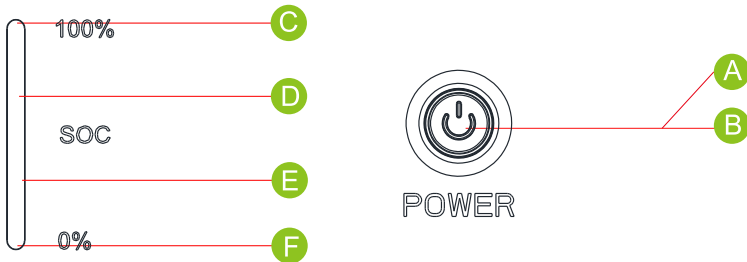


Fig 1.3: LED lights

No.	Name	Color	Description
A	RUN	Green	Normal operation
B	ALM	Red	Failure or protection status
C	LED 4	Blue	76%-100%
D	LED 3	Blue	51%-75%
E	LED 2	Blue	26%-50%
F	LED 1	Blue	0%-25%

1.3 Working Principle and Function

ALP 5.0L is an energy storage unit composed of electrochemical cells, the switch button, the battery management unit, power and signal terminals, and mechanical parts.

ALP 5.0L distinguishes itself with better charging and discharging performance, precise status monitoring, longer cycle life, and less self-discharge loss.

ALP 5.0L enables connection of up to 8 battery modules in parallel, expanding the capacity and power of the energy storage system.

The whole battery system communicates to Power Conversion System (PCS) via CAN.

- **Monitoring:** Detects the voltage, current and temperature of each cell and the PACK.
- **Protection and Alarm:** Generates alarms and provides protection in the cases of over-voltage, under-voltage, over-current, over-temperature or under-temperature.
- **Report:** Reports all alarms and status data to PCS.
- **Power failure:** Communication between the PACK and PCS is lost for 25 minutes or under-voltage protection for 2 minutes

Safety 2

Observe all the safety precautions provided in this section when performing operations on the batteries. To prevent personal injury and device damage, installation and operation personnel must be familiar with this manual and the precautions required.

2.1 General safety

The PACK has been designed and tested with strict adherence to the international safety certification requirements. Read all safety instructions carefully before performing operations on the equipment and observe the rules. Growatt shall not be liable for any consequence of the following circumstances:

- Damage occurred during transportation.
- Damage caused by improper operations in transportation, storage, installation and use, or the third party fails to convey the correct information about transportation, storage, installation and use to terminal customers.
- Improper installation by unprofessional and unreliable personnel.
- Failure to follow the operation instructions and safety precautions provided in this document.
- Unauthorized modifications or removal of the software package.
- The PACK tamper label is damaged or any item is missing due to customer's negligence or intentional damage.
- Operate and use in environments that cannot meet the requirements specified in this document.
- Damage caused by repairing, disassembling, or altering PACKs without authorization.
- Damage to labels on the shell or altering the date of production.
- PACKs fail to be charged for more than six months.
- Damage due to force majeure (such as lightning, earthquakes, fire, and storms).
- Warranty expiration.

2.2 Safety Precautions

2.2.1 Environment requirements

- Do not expose the battery to temperature above 50°C or heat sources.
- Do not install or use the battery in a wet environment with moisture, corrosive gases or liquids, such as in the bathroom.
- Do not expose the battery to direct sunlight for extended periods of time.
- Place the battery in a safe place and ensure that it is not accessible to children and animals.
- Battery power terminals shall not come in contact with conductive objects such as wires.
- Do not dispose of the battery in fire, which may cause an explosion.
- The battery system must be protected from liquids.
- For indoor installation, do not install it in the bedroom, the living room and the kitchen, etc.

Exigences Environnementales

- N'exposez pas la batterie à des températures supérieures à 50°C ou à des sources de chaleur.
- N'installez pas et n'utilisez pas la batterie dans un environnement humide avec de l'humidité, des gaz corrosifs ou des liquides, comme dans la salle de bain.
- N'exposez pas la batterie à la lumière directe du soleil pendant de longues périodes.
- Placez la batterie dans un endroit sûr et assurez-vous qu'elle n'est pas accessible aux enfants et aux animaux.
- Les bornes d'alimentation de la batterie ne doivent pas entrer en contact avec des objets conducteurs tels que des fils.
- Ne jetez pas la batterie au feu, ce qui pourrait provoquer une explosion.
- Le système de batterie doit être protégé des liquides.
- Pour une installation intérieure, ne l'installez pas dans la chambre, le salon, la cuisine, etc.

2.2.2 Operation Precautions







- Do not touch the PACK with wet hands.
- Do not disassemble the PACK without permission.
- Do not crush, drop or pierce the PACK and the batteries.
- Dispose of the batteries according to local safety regulations.
- Store and recharge batteries in accordance with this manual.
- Ensure that the ground cable is securely connected.
- Remove all metal objects such as watches and rings that could cause a short circuit before installation, replacement and maintenance.
- The Pack must be repaired, replaced or maintained by qualified and well-trained personnel.
- When storing or handling batteries, do not stack batteries without package.
- Handle the battery with caution to avoid leakage. The leaked electrolyte is toxic and harmful to the skin and eyes.
- Packaged batteries should not be stacked more than specified number stipulated on the packing case.
- Do not use damaged, faulty or deformed batteries, which may lead to safety hazards, such as leakage of corrosion materials, electric shock and fire.





Précautions d'Utilisation



- Ne touchez pas le PACK avec les mains mouillées.
- Ne démontez pas le PACK sans autorisation.
- Ne broyez pas, ne laissez pas tomber et ne percez pas le PACK et les batteries.
- Éliminez les batteries conformément aux réglementations de sécurité locales.
- Stockez et rechargez les batteries conformément à ce manuel.

- Assurez-vous que le câble de mise à la terre est solidement connecté.
- Retirez tous les objets métalliques tels que les montres et les bagues qui pourraient provoquer un court-circuit avant l'installation, le remplacement et l'entretien.
- Le PACK doit être réparé, remplacé ou entretenu par du personnel qualifié et bien formé.
- Lors du stockage ou de la manipulation des batteries, ne les empilez pas sans emballage.
- Manipulez la batterie avec précaution pour éviter les fuites. L'électrolyte qui fuit est toxique et nocif pour la peau et les yeux.
- Les batteries emballées ne doivent pas être empilées au-delà du nombre spécifié stipulé sur la boîte d'emballage.
- N'utilisez pas de batteries endommagées, défectueuses ou déformées, ce qui pourrait entraîner des risques pour la sécurité, tels que des fuites de matériaux corrosifs, des chocs électriques et des incendies.



2.3 Warning Labels/Étiquettes d'avertissement

Symbols/ Symboles	Description
	Do not dispose of the battery with the household waste but in accordance with the local regulations. Ne jetez pas la batterie avec les déchets ménagers, mais conformément aux réglementations locales.
	Lithium ion battery can be recycled. La batterie au lithium-ion peut être recyclée.
	Electric shock hazard. Danger de choc électrique.
	Explosive gas. Gaz explosif.
	May leak corrosive electrolyte. Peut fuir de l'électrolyte corrosif.
	Caution! Unassisted lifting can cause injury. Attention ! Le port sans assistance peut causer des blessures.

Symbols/ Symboles	Description
	Keep the Pack away from children. Gardez le Pack à l'écart des enfants.
	Ensure that the positive and negative terminals are correctly connected. Assurez-vous que les bornes positive et négative sont correctement connectées.
	Keep away from open flame or ignition sources. Éloignez la batterie des flammes nues ou des sources d'allumage.
	Observe the manual. Respectez le manuel.

 GROWATT Lithium Ion Battery Manual	
Model	ALP 5.0L-E2 US
Nominal Voltage	51.2V
Nominal/Rated Capacity	100Ah/90Ah
Nominal/Rated Energy	5000Wh/4600Wh
Rated Current	60A
Ingress Protection	IP66
Operating Ambient Temperature	-10°C ~ +50°C
Protective Class	I
Maximum Short Circuit Current and Duration	546A,840us
Confirms to ANSI CANUL STD. 1973 	
X	

Battery Module

 GROWATT Lithium Ion Battery system Manual	
System Model / Rated Current / Nominal Capacity / Rated Capacity / Nominal Energy / Rated Energy	<input type="checkbox"/> ALP 5.0L-E2 US/60A/ 100Ah/90Ah/5.0kWh/4.6kWh
	<input type="checkbox"/> ALP 10.0L-E2 US/120A/ 200Ah/180Ah/10.0kWh/9.2kWh
	<input type="checkbox"/> ALP 15.0L-E2 US/180A/ 300Ah/270Ah/15.0kWh/13.8kWh
	<input type="checkbox"/> ALP 20.0L-E2 US/220A/ 400Ah/360Ah/20.0kWh/18.4kWh
	<input type="checkbox"/> ALP 25.0L-E2 US/220A/ 500Ah/450Ah/25.0kWh/23.0kWh
	<input type="checkbox"/> ALP 30.0L-E2 US/220A/ 600Ah/540Ah/30.0kWh/27.6kWh
	<input type="checkbox"/> ALP 35.0L-E2 US/220A/ 700Ah/630Ah/35.0kWh/32.2kWh
<input type="checkbox"/> ALP 40.0L-E2 US/220A/ 800Ah/720Ah/40.0kWh/36.8kWh	
Nominal Voltage	51.2V
Ingress Protection	IP 66
Maximum Short Circuit Current and Duration	546A/840us
Operating Ambient Temperature	-10°C ~ +50°C
Protective Class	I
Confirms to ANSI CANUL STD. 1973 	
X	

System Module



WARNING

- Do not disassemble or alter the PACK to avoid overheating, explosion, or fire.
- Do not use the PACK beyond the specified conditions, which may cause heat generation, damage, or declining performance.
- Do not throw, drop, hit, drive a nail into, or stamp on the PACK, which may cause heat generation, explosion, or fire.
- In the case of electrolyte leakage, do not approach the PACK. Should you come into contact with the electrolyte, immediately wash with water and seek medical attention.
- Do not throw the PACK into fire. Do not expose it to high temperature or heat sources, such as fire and heaters to avoid overheating, explosion, or fire.
- Do not submerge the PACK in water or get it wet, which may cause heat generation, explosion, or fire.
- Avoid a reverse polarity battery connection.
- Do not allow battery terminals to contact with each other, or contact with other metals, which might cause short-circuit.
- Exercise caution when moving the heavy objects to avoid injuries.
- Ensure that the PACK is not accessible to children and animals.



x



AVERTISSEMENT

- Ne démontez pas et ne modifiez pas le PACK pour éviter une surchauffe, une explosion ou un incendie.
- N'utilisez pas le PACK au-delà des conditions spécifiées, ce qui peut provoquer une génération de chaleur, des dommages ou une baisse de performance.
- Ne jetez pas, ne laissez pas tomber, ne frappez pas, ne clouez pas et ne marchez pas sur le PACK, ce qui peut provoquer une génération de chaleur, une explosion ou un incendie.
- En cas de fuite d'électrolyte, n'approchez pas du PACK. Si vous entrez en contact avec l'électrolyte, lavez-vous immédiatement à l'eau et consultez un médecin.
- Ne jetez pas le PACK dans le feu. Ne l'exposez pas à des températures élevées ou à des sources de chaleur, telles que le feu et les radiateurs, pour éviter une surchauffe, une explosion ou un incendie.
- Ne plongez pas le PACK dans l'eau et ne le mouillez pas, ce qui peut provoquer une génération de chaleur, une explosion ou un incendie.
- Évitez une connexion de batterie avec polarité inversée.
- Ne laissez pas les bornes de la batterie entrer en contact les unes avec les autres ou avec d'autres métaux, ce qui pourrait provoquer un court-circuit.
- Faites attention lorsque vous déplacez des objets lourds pour éviter les blessures.
- Assurez-vous que le PACK n'est pas accessible aux enfants et aux animaux.



x

Fig 2.2: Label

2.4 Emergency Responses

The manufacturer has taken foreseeable risk scenarios into consideration and designed the battery system to mitigate the hazards. In case of an emergency, do as below:

Emergency	Description and measures
Leakage	Avoid contact with leaked liquids or gases. Should you come into direct contact with the battery electrolyte, do as follows: Inhalation: Evacuate the contaminated area, and seek medical help. Eye contact: Flush your eyes with flowing water for 15 minutes, and seek medical help. Skin contact: Wash the affected area with soap and water, and seek immediate medical attention. Ingestion: Spit it out, and seek immediate medical attention.
Fire	Under normal circumstances, the PACK won't ignite spontaneously. If a fire occurs, do not try to extinguish the fire but evacuate people immediately.
Wet Packs	If the PACK is soaked or submerged in water, do not touch the batteries to avoid electric shock. Contact Growatt or your distributor immediately for technical assistance.
Damaged PACKS	Damaged PACKS are dangerous and must be handled with extra attention. Do not use damaged PACKS, which may cause safety hazards. Contact Growatt or a distributor to dispose of them.

Storage and Transportation 3

3.1 Storage Requirements

- Place the PACK following the identification on the packing case during storage.
- Do not put the PACK upside down or sidelong.
- Do not store damaged PACKs near undamaged PACKs.
- The storage environment requirements are as follows
 - 1) Install the PACK in a dry, clean and well-ventilated place.
 - 2) Keep the battery storage temperature between $-20^{\circ}\text{C}\sim 40^{\circ}\text{C}$ and charge the battery regularly.

Storage temperature	Storage RH	Storage period	Recharge period
$<-20^{\circ}\text{C}$	/	Not permitted	/
$-20^{\circ}\text{C} \sim 25^{\circ}\text{C}$	5% ~ 95%	≤ 12 months	≤ 12 months
$+25^{\circ}\text{C} \sim 35^{\circ}\text{C}$	5% ~ 95%	≤ 9 months	≤ 9 months
$+35^{\circ}\text{C} \sim 50^{\circ}\text{C}$	5% ~ 95%	≤ 6 months	≤ 6 months
$>50^{\circ}\text{C}$	/	Not permitted	/

Note:

If the battery is not charged when the permitted storage period illustrated above is exceeded, it might result in battery damage. Currently, the battery can only be charged via the inverter.

- 3) Relative humidity: 5%~95%RH.
 - 4) Place the PACK away from corrosive and organic materials and gases.
 - 5) Avoid direct exposure to sunlight and rain .
 - 6) Keep the batteries at least two meters away from heat sources (such as a radiator) .
 - 7) Avoid exposure to intensive infrared radiation.
- If the PACK has not been used for more than six months, it needs to be charged. The procedure is as follows:
 - 1) Identify the PACK that needs charging;
 - 2) Refer to the quick installation guidance to install the PACK and complete the electrical connection.
- Ensure the PACK is powered off before performing any operations.
- 3) Set the power system as " $\text{CC}\leq 25\text{A}$, $\text{CV}=55.8\text{V}$ " , activate the PACK and start recharging.
 - 4) Recharge until LED2 flicks.
 - 5) After the battery is charged, leave circuit open for five minutes before you check the voltage. If the voltage is greater than or equals to 52V, the recharge is successful.

3.2 Transportation Requirements

The PACK passes the certifications of UN38.3 (Section 38.3 of the sixth Revised Edition of the Recommendations on the Transport of Dangerous Goods: Manual of Tests and Criteria) and SN/T 0370.2-2009 (Part 2: Performance Test of the Rules for the Inspection of Packaging for Exporting Dangerous Goods). The PACK belongs to Class 9 dangerous goods.

- The battery pack shall not be transported with other inflammable, explosive or toxic materials.
- Ensure that the original package and label are intact and identifiable.
- Avoid direct exposure to sunlight, rain, condensing water caused by temperature difference and mechanical damages.
- There will be a drop in capacity during transportation and storage.
- Transportation temperature is between -20°C to 45°C, relative humidity: 5%~95%RH.

Installation 4



WARNING

- Read through the Guidance before installation to understand product information and safety cautions/ Assurez-vous de lire le guide avant l'installation afin de comprendre les informations sur le produit et les précautions de sécurité;
- Only qualified and well-trained technicians who fully understand the whole photovoltaic system, grid network, battery system, working principle and national/local standards are allowed to perform operations on the battery/ Les opérateurs doivent être des techniciens bien formés et bien comprendre l'ensemble du système photovoltaïque, le réseau électrique, le principe de fonctionnement et les normes régionales nationales;
- Installers must use insulating tools and wear safety equipment/ Les installateurs doivent utiliser des outils isolants et porter des équipements de sécurité;
- Device damages caused by failure to comply with storage, transportation, installation and use requirements specified in the Guidance are not covered under any Warranty/ Les dommages à l'appareil causés par le non-respect des exigences de stockage, de transport, d'installation et d'utilisation spécifiées dans le guide ne sont pas couverts par la garantie.
- The PACK can only be installed indoors. Regarding indoor installation, please do not install it in the bedroom, living room, kitchen, etc./ Le PACK ne peut être installé qu'en intérieur. En ce qui concerne l'installation à l'intérieur, veuillez ne pas l'installer dans la chambre, le salon, la cuisine, etc.
- Different types of batteries are not recommended to be mixed and used in parallel/ Il est déconseillé de mélanger et d'utiliser différents types de batteries en parallèle.
- The battery system cannot be installed, disassembled, and maintained when it has been powered on/ Le système de batterie ne peut pas être installé, démonté et entretenu lorsqu'il a été mis sous tension.

4.1 Installation environment

The ambient temperature for the installation of the battery system shall be above -10°C , below 50°C , recommended operating temperature $15^{\circ}\text{C}\sim 30^{\circ}\text{C}$, and the humidity shall be between 5% and 95%.

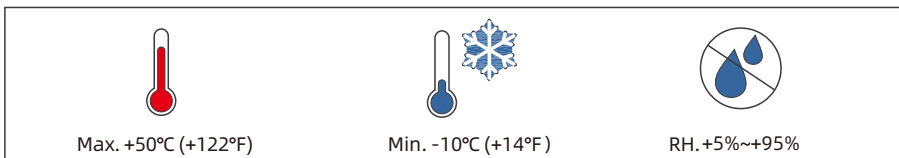


Fig 4.1: Installation environment requirements

4.2 Basic installation requirements

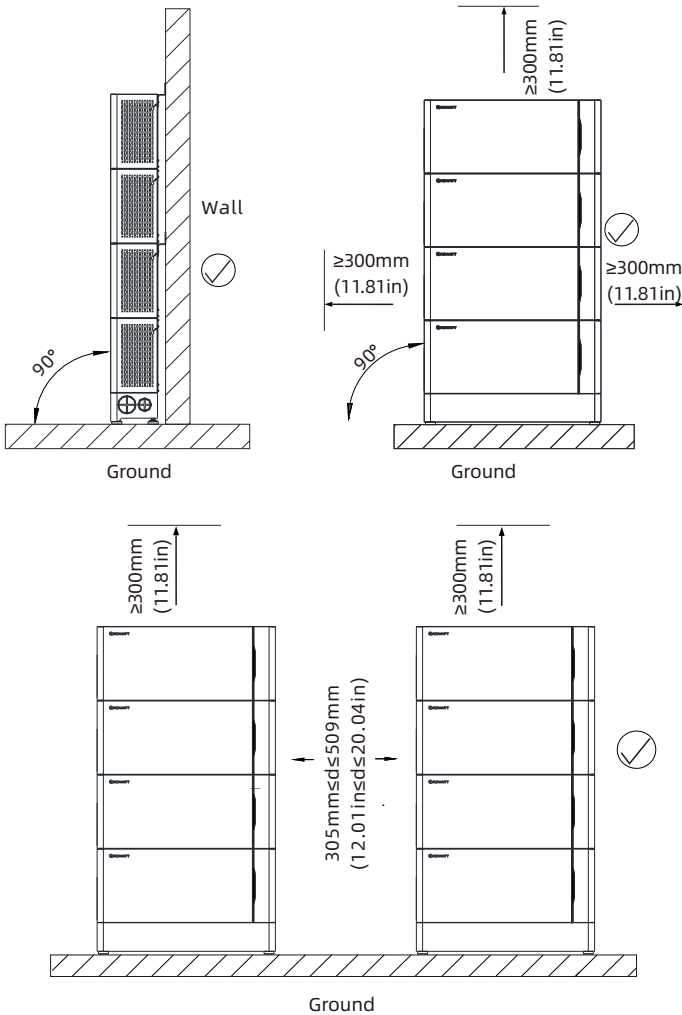


Fig 4.2: Floor-mounted installation



WARNING

Do not turn the PACK upside down, and ensure that the floor is leveled.

Ne retournez pas le PACK et assurez-vous que le sol est de niveau.

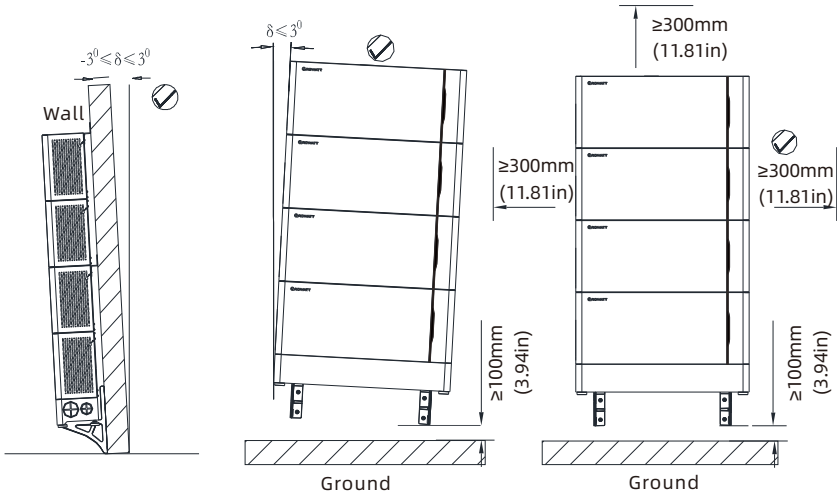


Fig 4.3: Wall-mounted Installation

Note:

The number of battery modules in wall-mounted installation should not exceed four.

Ensure that load capacity of the wall exceeds 200kg (440 lbs).

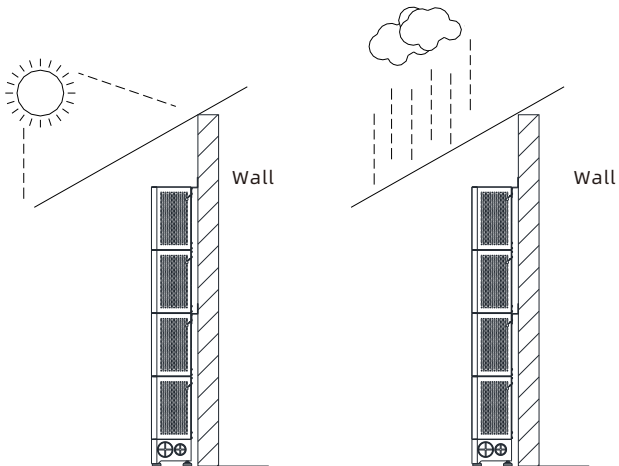


Fig 4.4: Outdoor installation




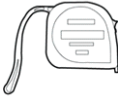




WARNING

About outdoor installation, install an awning to avoid direct exposure to the sunlight and rain.
Pour une installation extérieure, installez un auvent pour éviter l'exposition directe au soleil et à la pluie.

4.3 Installation tools

The following tools are required to install the PACK:

 5mm Allen key	 Screwdriver ⊕ M6 2 Nm (17.6inlbs) M4 2 Nm (17.6inlbs) M3 1 Nm (8.8inlbs)	 Wrench ⊕ M8 2 Nm (17.6inlbs)
 Measuring tape	 Multimeter	 Marker

It is recommended to wear the following safety gear when handling the PACK.

 Insulated Gloves	 Safety Goggles	 Safety Shoes
--	--	--

4.4 Check

4.4.1 Pre-installation Check

Check the package	Check the PACK package before unpack it. If any damage is found, do not unpack the Package and contact your distributor.
Check the power	Check and confirm the PACK is powered off before installation.
Check deliverables	Check that the deliverables are intact and complete according to the packing list. If any item is missing or damaged, contact your distributor.

4.4.2 Check the Packing List

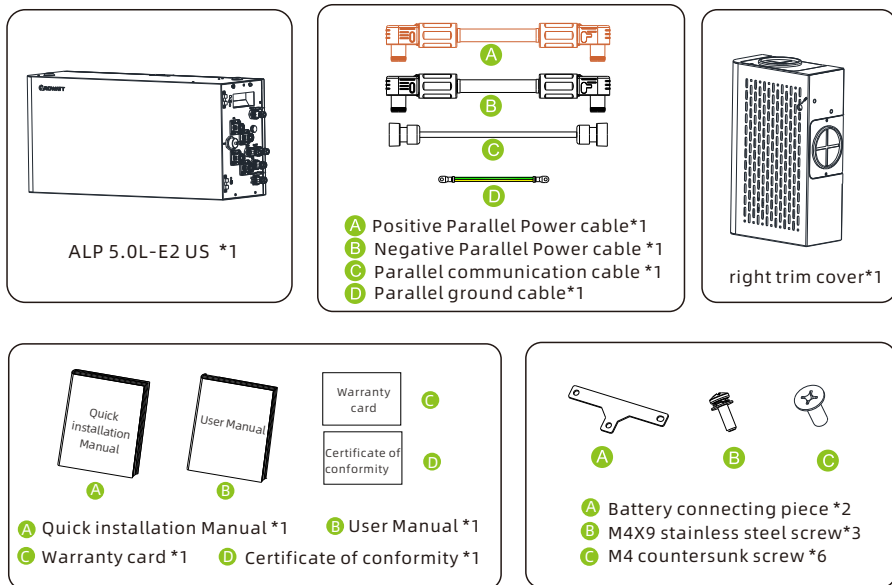


Fig 4.5: ALP 5.0L packing list

4.4.3 Check the accessories

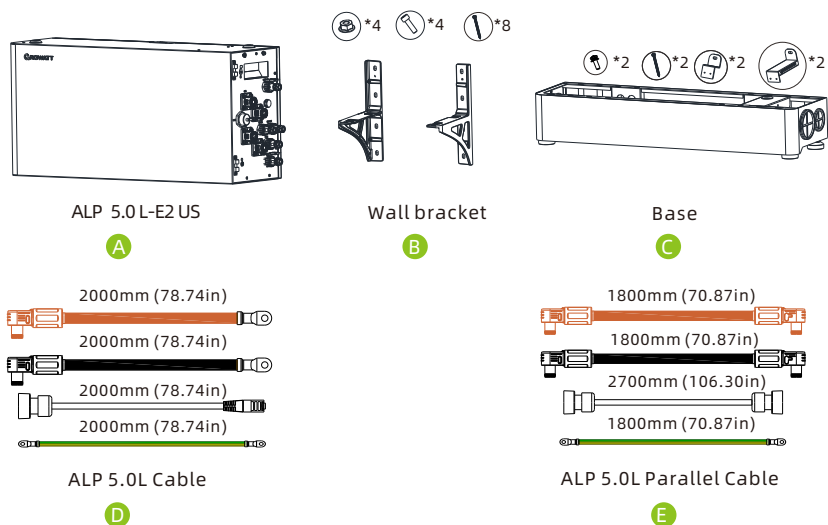


Fig 4.6: Parts list

Installation Method	Compound Mode
Standard wall-mounted installation	$A*N+B+C+D$
Standard floor-mounted installation	$A*N+C+D$
Wall-mounted battery system stacked in two lines	$A*N+B*2+C*2+D+E$
Floor-mounted battery system stacked in two lines	$A*N+C*2+D+E$

Note: “N” stands for the number of batteries.

4.5 Installation

4.5.1 Floor-mounted Installation

Note:

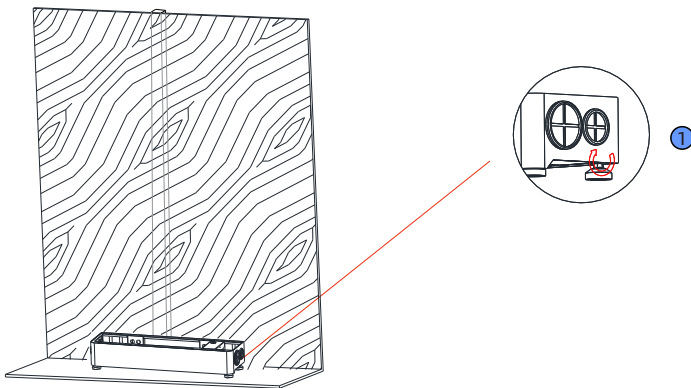
You can connect the battery and inverter in two ways. For top cable routing, you should use fixed anti-tip connecting pieces during installation; for rear cable routing, you should use adjustable anti-tip connecting pieces during installation.



fixed anti-tip connecting piece



adjustable anti-tip connecting piece



- 1 Place the base at an appropriate position and adjust the base feet to keep them level

Figure 4.7: Install the base

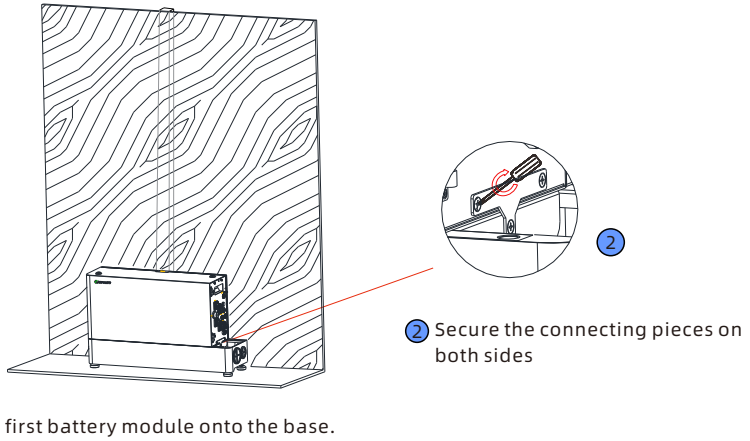


Figure 4.8: Install the first battery

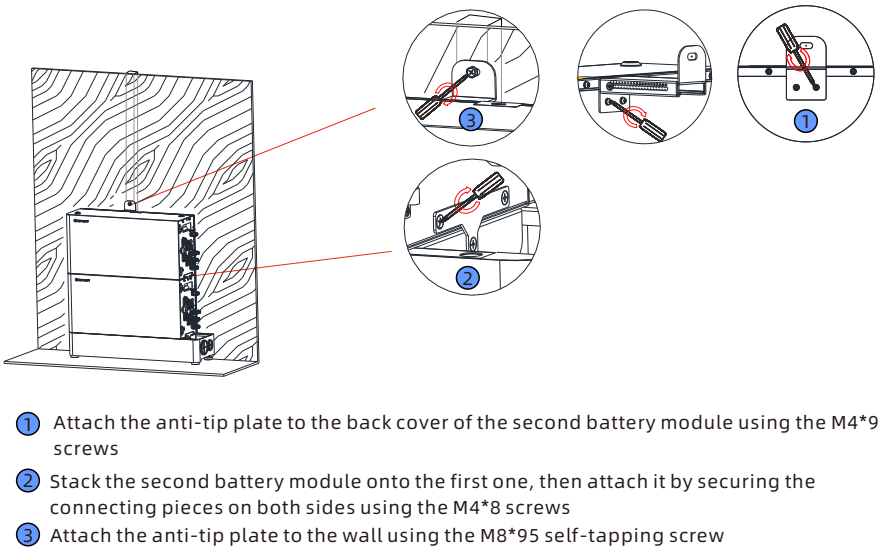
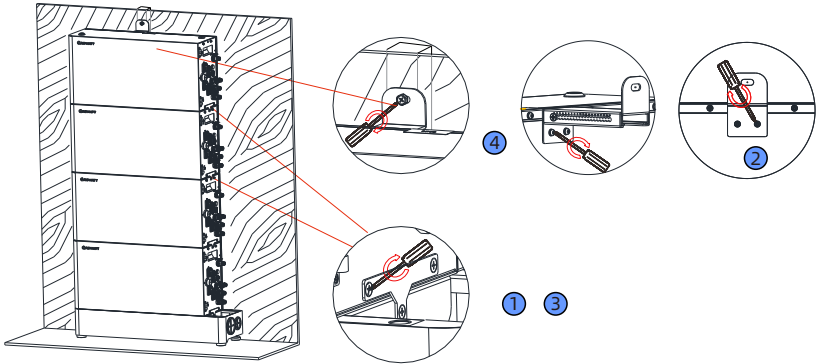


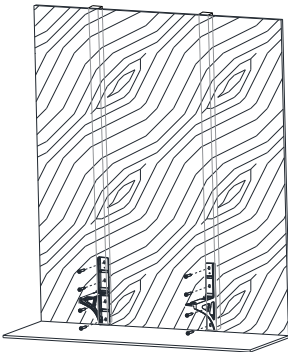
Figure 4.9: Install the second battery



- ① Stack the third battery module onto the second one, then fix it by securing the connecting pieces on both sides
- ② Attach the anti-tip plate to the back cover of the fourth battery module using the M4*9 screws
- ③ Stack the fourth battery module, then attach it by securing the connecting pieces on both sides using the M4*8 screws
- ④ Attach the anti-tip plate to the wall using the M8*95 self-tapping screw

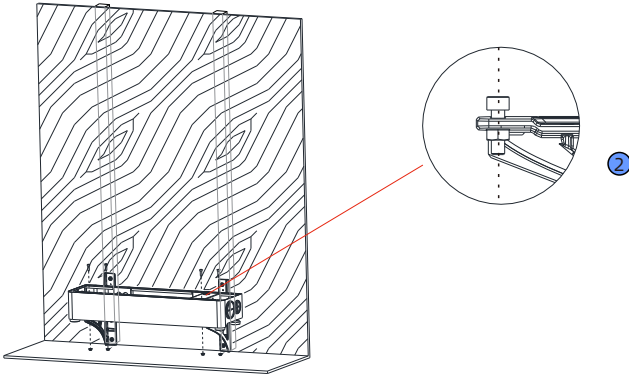
Figure 4.10: Install the remaining batteries

4.5.2 Wall-mounted Installation



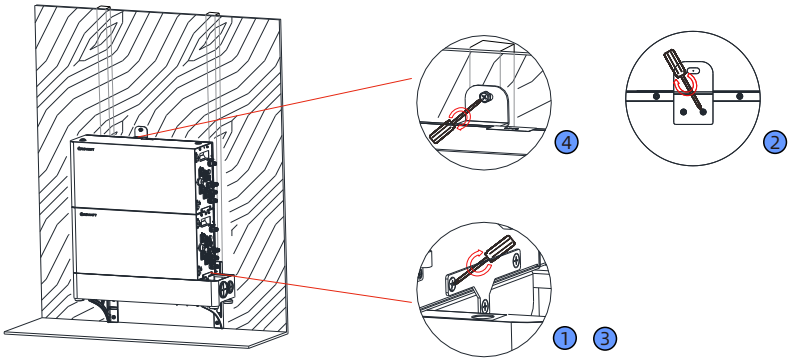
- ① Position the mounting template on the wall keeping it level. Find the appropriate hole spacing (12in, 16in, 20in, or 24in) and mark the hole positions for drilling.
- ② Attach the mounting bracket to the wall using the M8*95 screws

Figure 4.11: Install the wall bracket



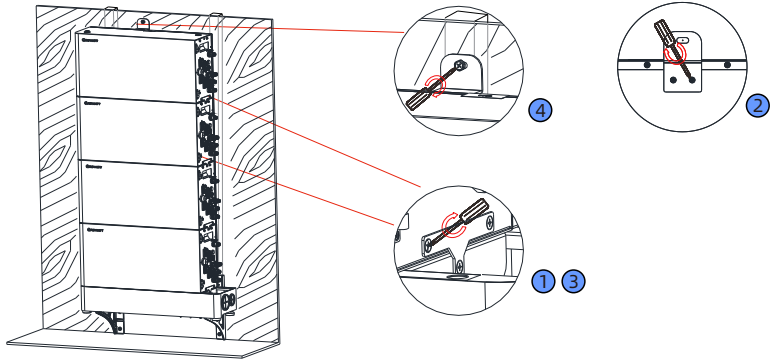
- ① Place the base onto the mounting bracket
- ② Insert the four M6*20 screws into the holes on the base, then tighten them with the M6*20 bolts from the bottom

Figure 4.12: Install the base



- ① Place the first battery module onto the base and secure the connecting pieces on both sides
- ② Attach the anti-tip plate to the back cover of the second battery module using the M4*9 screws
- ③ Stack the second battery module onto the first one, then attach it by securing the connecting pieces on both sides using the M4*8 screws
- ④ Attach the anti-tip plate to the wall using the M8*95 self-tapping screw

Figure 4.13: Install the batteries



- ① Stack the third battery module onto the second one, then secure the connecting pieces on both sides
- ② Attach the anti-tip plate to the back cover of the fourth battery module using the M4*9 screws
- ③ Stack the fourth battery module, then attach it by securing the connecting pieces on both sides using the M4*8 screws
- ④ Attach the anti-tip plate to the wall using the M8*95 self-tapping screw

Figure 4.14: Install the remaining batteries


4.5.3 Electrical Connection



WARNING

- Do not forget to wear ESD wrist strap, safety gloves and goggles.
- It is recommended that the power cable and communication cable between the battery and the PCS does not exceed 2 meters.
- N'oubliez pas de porter un bracelet antistatique, des gants de sécurité et des lunettes de protection.
- Il est recommandé que le câble d'alimentation et le câble de communication entre la batterie et le PCS ne dépassent pas 2 mètres.

4.5.3.1 Communication interface definition

Item	Picture of RJ45 Connector	Serial no.	Definition
PCS		1	/
		2	/
		3	GND_COM
		4	CAN_H
		5	CAN_L
		6	GND_COM
		7	WAKE-
		8	WAKE+

4.5.3.2 Communication terminal

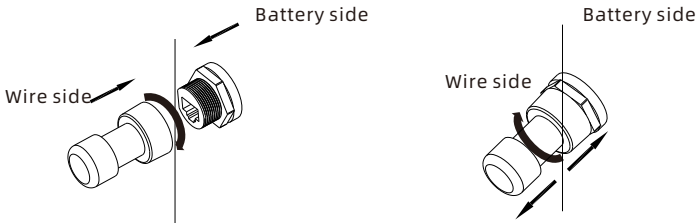


Figure 4.15: Connect and disconnect communication terminals

4.5.3.3 Power terminal

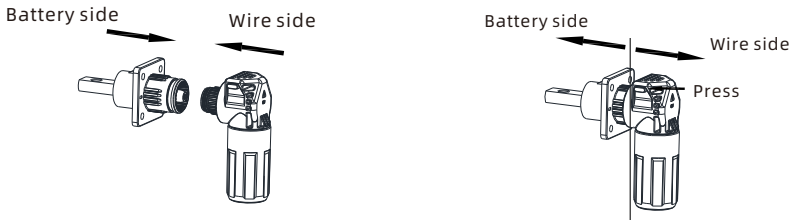
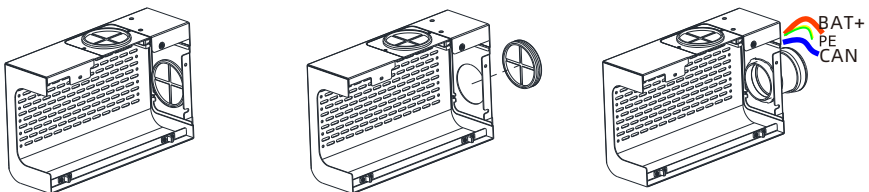


Figure 4.16: Connect and disconnect power terminals

Press the position indicated in the figure above before disconnecting the power terminal.

4.5.3.4 Install the Trim Cover



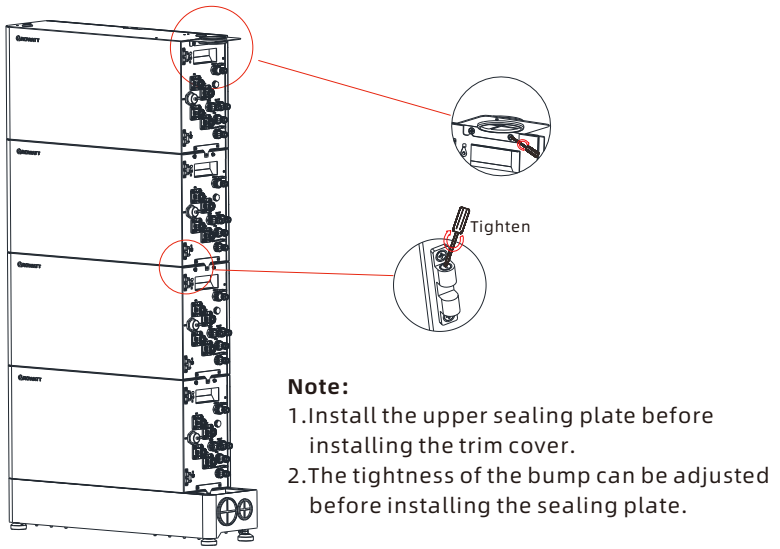


Figure 4.17: Install the trim cover on the right side of each battery module



Figure 4.18: Trim cover installation is completed

4.5.3.5 Single-column wiring

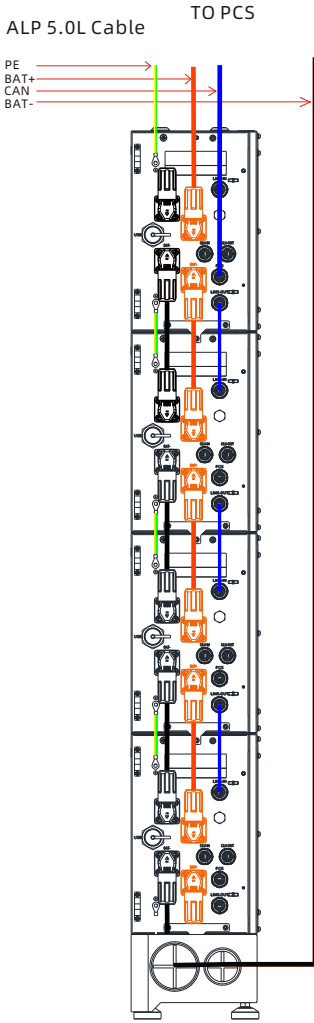


Figure 4.19: System wiring diagram (top cable routing)

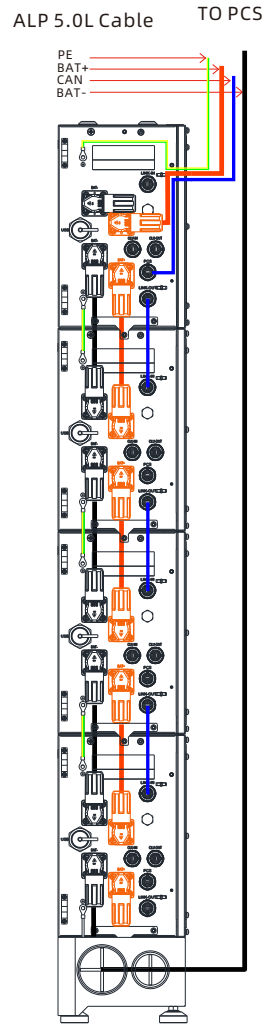
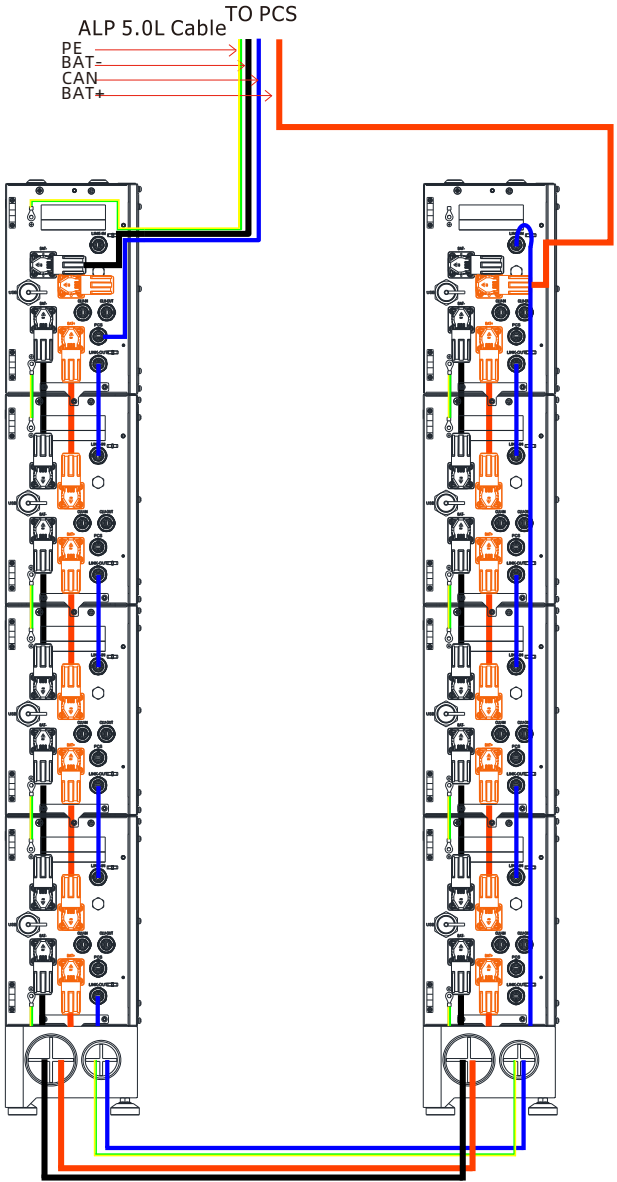


Figure 4.20: System wiring diagram (rear cable routing)

Note:

1. The battery should not be installed in the running state, and all the RUN lights of battery modules should be off before installation.
2. To ensure proper operation and safety, do not forget to install the ground wire.
3. For the power cable connections from the battery stack to the PCS, the positive (+) power cable is connected at the top battery module, and the negative (-) power cable is connected at the bottom battery module.

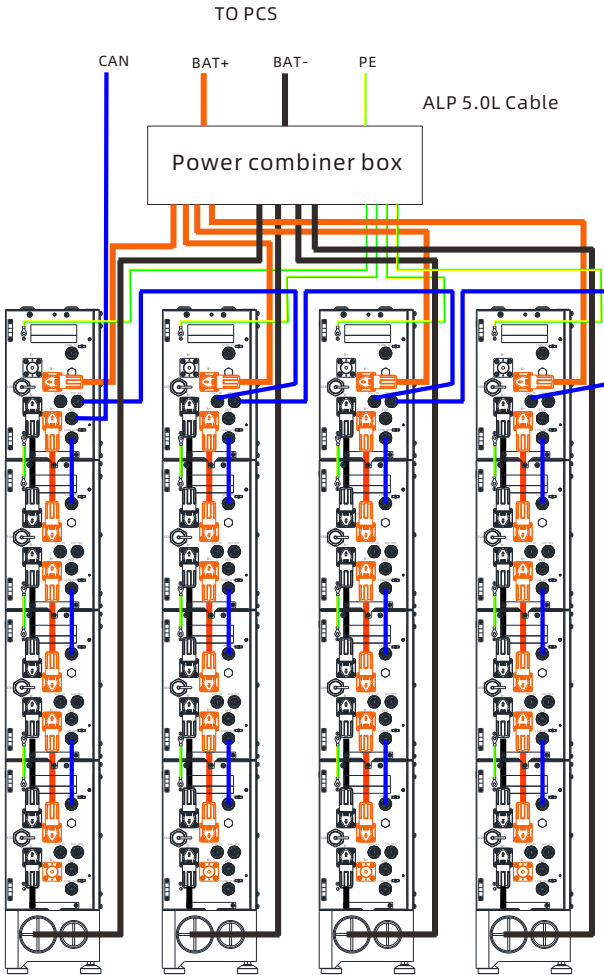
4.5.3.6 Two-column wiring



ALP 5.0L Parallel cable

Figure 4.21: Parallel connection between two columns

4.5.3.7 Wiring of Multi-clusters battery in parallel



- Note:**
- 1. Supports up to 8 clusters in parallel.
 - 2. The power combiner box needs to be prepared by the user.
 - 3. The number of batteries in each cluster needs to be the same.

Figure 4.22: Wiring of Multi-clusters battery in parallel

5 System startup or shutdown

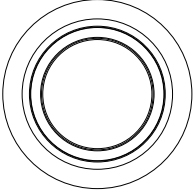


WARNING

- Personnel who install and operate the Battery System must receive thorough training and possess the local required qualifications before operation. Only qualified professionals and trained personnel are allowed to install, operate and maintain the equipment.
- Please stand on dry insulating objects and do not wear conductive material such as watches and necklace during operation. Insulated tools should be used.
- Avoid contact with any parts with electric potential difference.
- Hang the warning sign: Do not touch. Authorized personnel only.
- If any abnormality is found when energizing the equipment, power off the PACK immediately. After solving the problem, turn on the switches again.
- Make sure the inverter is turned off before checking the PACK.
- Le Personnel qui installe et fait fonctionner le système de batteries doit recevoir une formation approfondie et posséder les qualifications locales requises avant l'exploitation. Seuls des professionnels qualifiés et du personnel qualifié sont autorisés à installer, faire fonctionner et entretenir l'équipement.
- Veuillez vous tenir debout sur des objets isolants secs et ne portez pas de matériel conducteur tel que des montres et un collier pendant le fonctionnement. Des outils isolés doivent être utilisés.
- Évitez le contact avec toutes les pièces avec la différence de potentiel électrique.
- Accrochez le panneau d'avertissement: ne touchez pas. Personnel autorisé seulement. 5、 Si une anomalie survient lors de la mise sous tension de l'équipement, éteignez immédiatement le groupe de conditionnement. Après avoir résolu le problème, allumez à nouveau les interrupteurs.
- Assurez-vous que l'onduleur est éteint avant de vérifier le PACK.

5.1 System startup

When multiple batteries are connected in parallel or multiple clusters of batteries are connected in parallel, press one of the battery power buttons and all the batteries connected in parallel can be turned on.

 <p>POWER</p>	<ol style="list-style-type: none"> 1. Press POWER button for 3 seconds. Observe the LED indicator on the panel. 2. The battery LED indicator lights up to indicate that the battery has been turned on.
--	---

Power on the PACK by pressing the power button($t > 3S$)		
Step	Procedures	Acceptance criteria
1	Connect the battery and PCS	Make sure the wiring harness are tight and secured
2	Press the POWER button for three to five seconds. Observe the LED indication on panel.	<ol style="list-style-type: none"> 1. If both RUN/ALM and SOC lights are on and green normal, PACK powers on successfully. 2. If RUN/ALM light turns red, power down the system, fix the fault and restart.

Power on the PACK by PCS		
Step	Procedures	Acceptance criteria
1	Connect the battery and PCS	Make sure the wiring harnesses are well connected
2	Power on the PCS. PCS outputs a wake up signal of 5V or an output main circuit voltage signal of 46-58V	<ol style="list-style-type: none"> 1. If both RUN/ALM and SOC lights turn on and green normal, PACK powers on successfully. 2. If RUN/ALM light turns red, there is a fault and you should solve it before powering on the PACK again.

5.2 System shutdown

Press the power button to turn off the PACK and the five LED lights will flicker three times. If multiple packs are connected in parallel, turning off one of the PACKs will shut down the whole battery system.

6 Maintenance Guide

6.1 Preparation

- Prepare tools including safety gloves, a cross-head screwdriver and a socket wrench.
 - Turn on and turn off the PACK.
1. If the PACK is powered off, press and hold the power button for 3-5 seconds to turn it on.
 2. If the PACK is powered on, press the power button once to turn it off.
Before maintaining the battery, press the power button once again to make sure the PACK is power-off. Follow the installation and wire connection procedures specified above. Ensure wires are properly connected. After that, press the power button on one of the PACKs for 3-5 seconds to check if the system operates normally.
 3. When installing or maintaining the equipment, it is recommended that the battery SOC be at 35% ~ 45%.

6.2 PACK Replacement

- Wear safety gloves.
- Switch off the breaker and power off the PACK.
- Unscrew the safety screws under the power supply, and disconnect the power lines and the CAN communication cables of the PACK.
- Remove the safety part at the left end of the battery and turn the PACK upward.
- Put the PACK into the packing box according to the repair manual Contact Growatt or a distributor to dispose of them.
- Install new PACK based on procedure specified in Section 4.

6.3 System Failure Information List and Troubleshooting Suggestions

Error Indication	Error description	Error cause	Suggested actions
ALM			
🔴 (ALM Light Flickers)	Discharge under voltage protection	Single cell voltage is below the threshold for under-voltage protection	1. There is a risk of over-discharge. 2. User should stop discharging and arrange recharge
	Charge over voltage protection	Single cell voltage exceeds threshold for protection	1. There is no safety threat. 2. User should stop charging. Wait until the alarm disappears.

Error Indication	Error description	Error cause	Suggested actions
ALM			
* (ALM Light Flickers)	External CAN Communication failure	Communication loss between PCS and PACK	1. There is no safety threat and user should stop using battery. 2. Check if PCS and battery communication terminal is well connected. 3. If the alarm persists after the communication wire is confirmed to be well-connected, user should contact the installer to repair the battery.
	Interior CAN Communication failure	Communication loss between two batteries	Check Can connection between two batteries, CAN connection between Linkin and Linkout.
	Parallel connection failure protection	Communication failure between two parallel connected PACKs	Check Can connection between two batteries, CAN connection between Battery and PCS.
* (ALM Light on)	Discharge short circuit	External short circuit of PACK	1. There is safety risk and user should stop using the battery. 2. User should contact installer to repair PCS and battery.
	Precharge short circuit		
	Precharge overtime		
	Type inconsistency of PACK	The pack type is different	1. There is safety risk and user should stop using the battery 2. User should contact installer to use the same PACK in Parallel.
	Main circuit fault	BMS main power circuit failure	1. There is safety risk and user should stop using the battery. 2. User should contact installer to repair battery.

6.4 About mixing old and new batteries in parallel

Please ensure batteries in parallel connection are from the same batch, same model and same manufacturer. Do not mix an old battery with a new battery. Batteries undergone less than 300 cycles are defined as new batteries. Ensure that the duration between the installation of the newly added battery and the existing battery is within one year, and the newly added battery must be within the shelf life of 6 months.

Technical Specifications 7

Functional parameters of ALP 5.0L Energy Storage System are shown as below:

No.	Items	Specifications	
1	Number of parallel battery systems	1	2
2	Battery Model	ALP 5.0L-E2 US	ALP 10.0L-E2 US
3	Nominal Capacity/Energy	100Ah/5.0kWh	200Ah/10.0kWh
4	Rated Capacity/Energy	90Ah/4.6kWh	180Ah/9.2kWh
5	Rated Voltage	51.2V	
6	Operating Voltage	46.4 - 57.6V	
7	Rated Charging/discharging current	60A	120A
8	Max Charging/discharging current	60A	120A
9	Over current protection	90A	180A
10	Rated Charging/discharging power	3.5kW	6.5kW
11	Max Charging/discharging power	4.5kW	9.2kW
12	Battery Type	Cobalt Free Lithium Iron Phosphate (LFP)	
13	Operative temperature range	-10°C~50°C	
14	Recommended operating temperature	15°C~30°C	
15	Storage conditions	Temperaturer: -20°C ~ 25°C/12months 25°C ~ 35°C/9months 35°C ~ 50°C/6months Humidity: 5%~95%RH	
16	Cooling	Natural cooling	
17	Dimension (W/D/H) (mm)	710*185*295	710*185*590
18	Weight	44kg	88kg
19	Installation	Wall-mounted/Floor-mounted Installation	
20	Ingress protection	IP 66	
21	Cell safety certification	IEC62619/UL1973	
22	PACK certification	UN38.3/UL 1973/UL 9540A	
23	Charging batteries	See Appendix II	
24	Communication port	CAN	
25	Battery Designation	IFpP/51/161/119/ [(1P16S)1P]M/ -10+50/90	IFpP/51/161/119/ [(1P16S)2P]M/ -10+50/90

No.	Items	Specifications	
1	Number of parallel battery systems	3	4
2	Battery Model	ALP 15.0L-E2 US	ALP 20.0L-E2 US
3	Nominal Capacity/Energy	300Ah/15.0kWh	400Ah/20.0kWh
4	Rated Capacity/Energy	270Ah/13.8kWh	360Ah/18.4kWh
5	Rated Voltage	51.2V	
6	Operating Voltage	46.4 - 57.6V	
7	Rated Charging/discharging current	180A	220A
8	Max Charging/discharging current	180A	220A
9	Over current protection	250A	250A
10	Rated Charging/discharging power	8.4kW	11.2kW
11	Max Charging/discharging power	12.8kW	12.8kW
12	Battery Type	Cobalt Free Lithium Iron Phosphate (LFP)	
13	Operative temperature range	-10°C~50°C	
14	Recommended operating temperature	15°C~30°C	
15	Storage conditions	Temperatur: -20°C ~ 25°C/12months 25°C ~ 35°C/9months 35°C ~ 50°C/6months Humidity: 5%~95%RH	
16	Cooling	Natural cooling	
17	Dimensions (W/D/H) (mm)	710*185*885	710*185*1180
18	Weight	132kg	176kg
19	Installation	Wall-mounted/Floor-mounted Installation	
20	Ingress protection	IP 66	
21	Cell safety certification	IEC62619/UL1973	
22	PACK certification	UN38.3/UL 1973/UL 9540A	
23	Charging batteries	See Appendix II	
24	Communication port	CAN	
25	Battery Designation	IFpP/51/161/119/ [(1P16S)3P]M/ -10+50/90	IFpP/51/161/119/ [(1P16S)4P]M/ -10+50/90

No.	Items	Specifications	
1	Number of parallel battery systems	5	6
2	Battery Model	ALP 25.0L-E2 US	ALP 30.0L-E2 US
3	Nominal Capacity/Energy	500Ah/25.0kWh	600Ah/30.0kWh
4	Rated Capacity/Energy	450Ah/23.0kWh	540Ah/27.6kWh
5	Rated Voltage	51.2V	
6	Operating Voltage	46.4 - 57.6V	
7	Rated Charging/discharging current	220A	220A
8	Max Charging/discharging current	220A	220A
9	Over current protection	250A	250A
10	Rated Charging/discharging power	11.2kW	11.2kW
11	Max Charging/discharging power	12.8kW	12.8kW
12	Battery Type	Cobalt Free Lithium Iron Phosphate	
13	Operative temperature range	-10°C~50°C	
14	Recommended operating temperature	15°C~30°C	
15	Storage conditions	Temperaturer: -20°C ~ 25°C/12months 25°C ~ 35°C/9months 35°C ~ 50°C/6months Humidity: 5%~95%RH	
16	Cooling	Natural cooling	
17	Dimensions (W/D/H) (mm)	710*185*1475	710*185*1770
18	Weight	220kg	264kg
19	Installation	Wall-mounted/Floor-mounted Installation	
20	Ingress protection	IP 66	
21	Cell safety certification	IEC62619/UL1973	
22	PACK certification	UN38.3/UL 1973/UL 9540A	
23	Charging batteries	See Appendix II	
24	Communication port	CAN	
25	Battery Designation	IFpP/51/161/119/ [(1P16S)5P]M/ -10+50/90	IFpP/51/161/119/ [(1P16S)6P]M/ -10+50/90

No.	Items	Specifications	
1	Number of parallel battery systems	7	8
2	Battery Model	ALP 35.0L-E2 US	ALP 40.0L-E2 US
3	Nominal Capacity/Energy	700Ah/35.0kWh	800Ah/40.0kWh
4	Rated Capacity/Energy	630Ah/32.2kWh	720Ah/36.8kWh
5	Rated Voltage	51.2V	
6	Operating Voltage	46.4 - 57.6V	
7	Rated Charging/discharging current	220A	220A
8	Max Charging/discharging current	250A	250A
9	Over current protection	250A	250A
10	Rated Charging/discharging power	11.2kW	11.2kW
11	Max Charging/discharging power	12.8kW	12.8kW
12	Battery Type	Cobalt Free Lithium Iron Phosphate (LFP)	
13	Operative temperature range	-10°C~50°C	
14	Recommended operating temperature	15°C~30°C	
15	Storage conditions	Temperatur: -20°C ~ 25°C/12months 25°C ~ 35°C/9months 35°C ~ 50°C/6months Humidity: 5%~95%RH	
16	Cooling	Natural cooling	
17	Dimensions (W/D/H) (mm)	710*185*2065	710*185*2360
18	Weight	308kg	352kg
19	Installation	Wall-mounted/Floor-mounted Installation	
20	Ingress protection	IP 66	
21	Cell safety certification	IEC62619/UL1973	
22	PACK certification	UN38.3/UL 1973/UL 9540A	
23	Charging batteries	See Appendix II	
24	Communication port	CAN	
25	Battery Designation	IFpP/51/161/119/ [(1P16S)7P]M/ -10+50/90	IFpP/51/161/119/ [(1P16S)8P]M/ -10+50/90

Appendix I

LED indication Control Mechanism

LED light definition							
Status	Items	SOC indication				RUN/ALM	Remark
		LED1	LED2	LED3	LED4	LED5	
Charge SOC	0%-25%	✱(t=1S)				●	RUN/ALM light on and one SOC light flickers
	26%-50%	●	✱(t=1S)			●	
	51%-75%	●	●	✱(t=1S)		●	
	76%-99%	●	●	●	✱(t=1S)	●	
	100%	●	●	●	●	●	
Discharge SOC	100%-76%	●	●	●	●	●	
	75%-51%	●	●	●		●	
	50%-26%	●	●			●	
	25%-0%	●				●	
Idle	100%-76%	●	●	●	●	●	
	75%-51%	●	●	●		●	
	50%-26%	●	●			●	
	25%-0%	●				●	
Parallel connection	Parallel connection is successful					●	RUN/ALM light flickering green
Protection	Cell charge overvoltage alarm	SOC indicates current remaining capacity				✱(t=1S)	RUN/ALM light flickering green
	Cell charge overvoltage protection					✱(t=1S)	RUN/ALM light flickering green
	PACK charge overvoltage alarm					✱(t=1S)	RUN/ALM light flickering green
	PACK charge overvoltage protection					✱(t=1S)	RUN/ALM light flickering green
	Over charge and over discharge alarm					✱(t=1S)	RUN/ALM light flickering green

LED light definition							
Status	Items	SOC indication				RUN/ALM	Remark
		LED1	LED2	LED3	LED4	LED5	
Protection	Over charge and over discharge protection	SOC indicates current remaining capacity				✱ (t=1S)	RUN/ALM light flickering green
	Charging current limit does failure					✱ (t=1S)	RUN/ALM light flickering green
	Charge and discharge high temperature alarm					✱ (t=1S)	RUN/ALM light flickering green
	Charge and discharge high temperature protection					✱ (t=1S)	RUN/ALM light flickering green
	Charge and discharge low temperature alarm					✱ (t=1S)	RUN/ALM light flickering green
	Charge and discharge low temperature protection					✱ (t=1S)	RUN/ALM light flickering green
	Cell discharge undervoltage alarm					✱ (t=1S)	RUN/ALM light flickering green
	Cell discharge undervoltage protection					✱ (t=1S)	RUN/ALM light flickering green
	PACK discharge undervoltage alarm					✱ (t=1S)	RUN/ALM light flickering green
	PACK discharge undervoltage protection					✱ (t=1S)	RUN/ALM light flickering green

LED light definition								
Status	Items	SOC indication				RUN/ALM	Remark	
		LED1	LED2	LED3	LED4	LED5		
Protection	Charge and discharge Overcurrent hardware protection	SOC indicates current remaining capacity				* (t=1S)	RUN/ALM light flickering green	
	Mos high temperature alarm						* (t=1S)	RUN/ALM light flickering green
	Mos high temperature protection						* (t=1S)	RUN/ALM light flickering green
	High temperature environment alarm						* (t=1S)	RUN/ALM light flickering green
	High temperature environment protection						* (t=1S)	RUN/ALM light flickering green
	Cell Large voltage difference alarm						* (t=1S)	RUN/ALM light flickering green
	Cell Large voltage difference protection						* (t=1S)	RUN/ALM light flickering green
	difference protection between PACK voltage and module voltage						* (t=1S)	RUN/ALM light flickering green
	Parallel connection over charge and over discharge alarm						* (t=1S)	RUN/ALM light flickering green
Fault, personnel handling required	Discharge short circuit	SOC indicates current remaining capacity				* (t=1S)	RUN/ALM light flickering red	
	Precharge short circuit						* (t=1S)	RUN/ALM light flickering red
	Precharge overtime						* (t=1S)	RUN/ALM light flickering red

LED light definition							
Status	Items	SOC indication				RUN/ALM	Remark
		LED1	LED2	LED3	LED4	LED5	
Fault, personnel handling required	External CAN communication failure	SOC indicates current remaining capacity				✱(t=1S)	RUN/ALM light flickering red
	Interior CAN communication failure					✱(t=1S)	RUN/ALM light flickering red
	Parallel connection failure					✱(t=1S)	RUN/ALM light flickering red
	Type inconsistency of PACK					✱(t=1S)	RUN/ALM light flickering red
	Batteries failure protection					●	RUN/ALM light steady red
	Voltage sampling anomaly protection					●	RUN/ALM light steady red
	Current sampling fault					●	RUN/ALM light steady red
	Main circuit fault					●	RUN/ALM light steady red



Download
Manual



Growatt New Energy

Growatt USA, Inc.

9227 Reseda Blvd, #435 Northridge, CA 91324, USA.

T +1-866-686-0298

E usaservice@growatt.com

W us.growatt.com

GR-UM-383-A-02 (PN: 044.0131602)